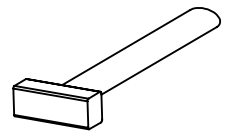
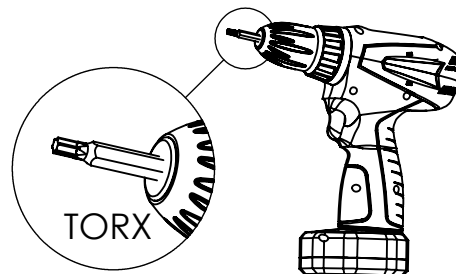
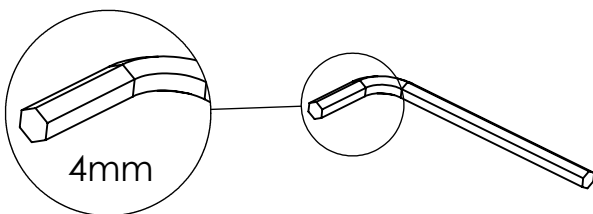
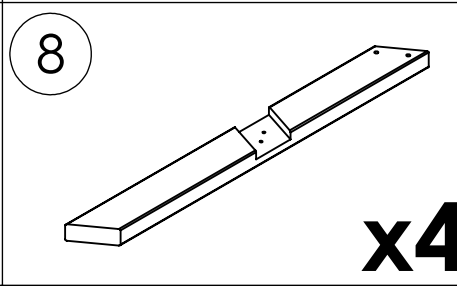
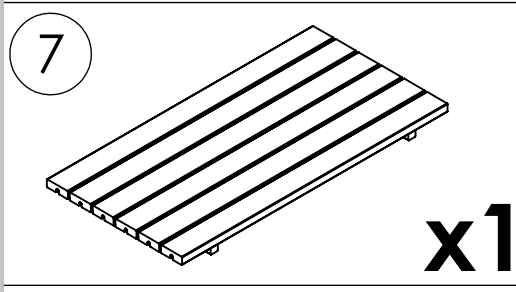
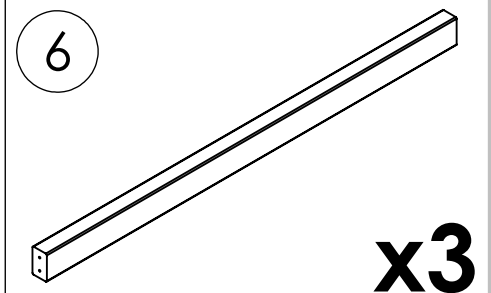
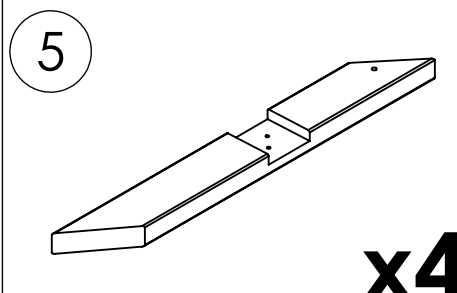
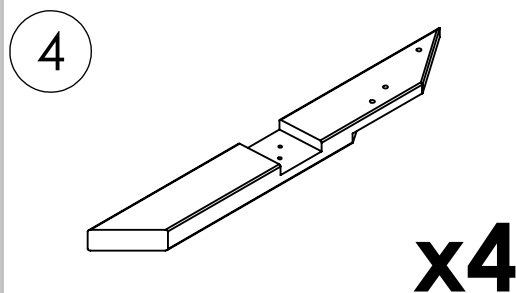
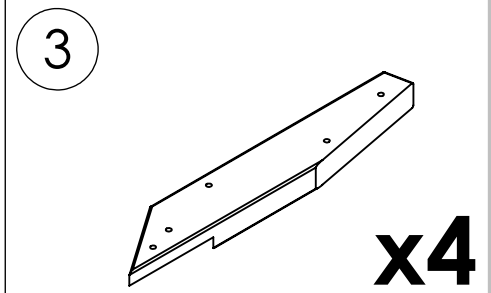
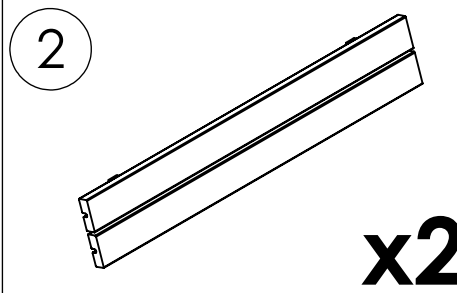
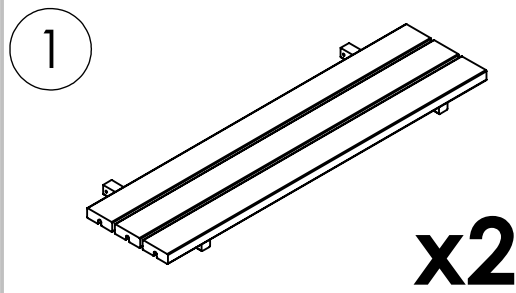
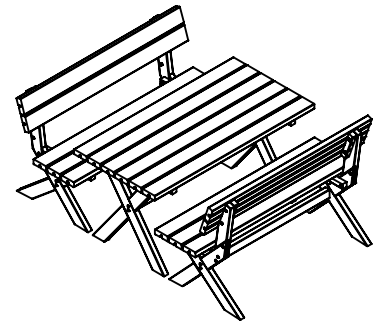
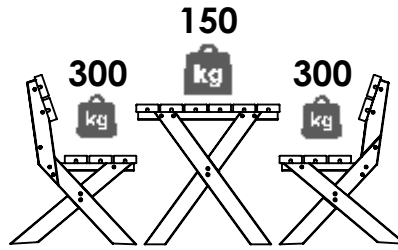
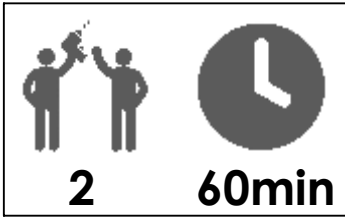


# Brafab

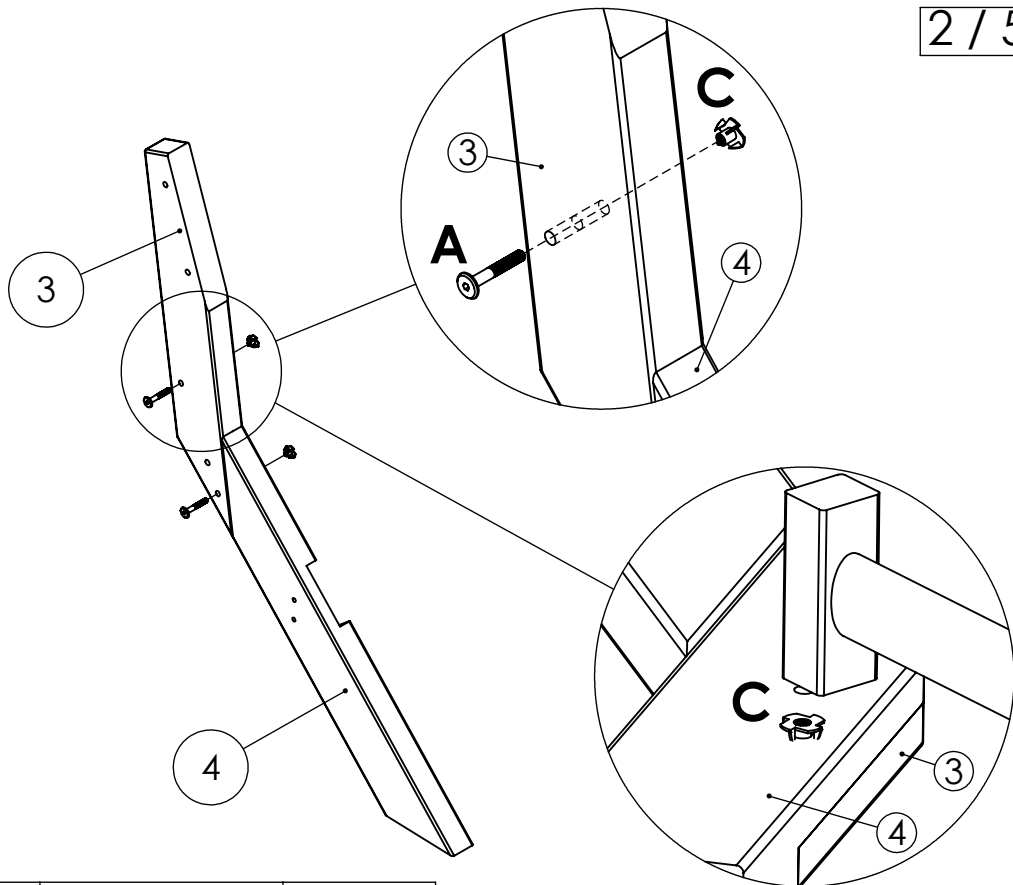
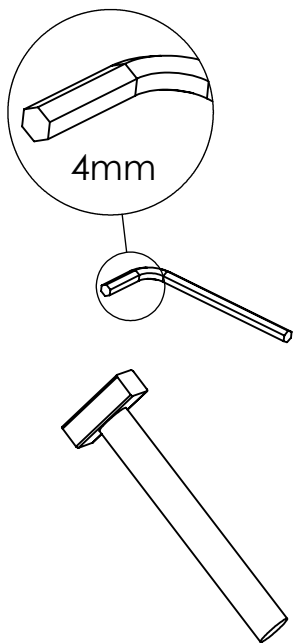
TALLBACKEN Dining Set - Art nr 9302 1 / 5



## Assembly instruction



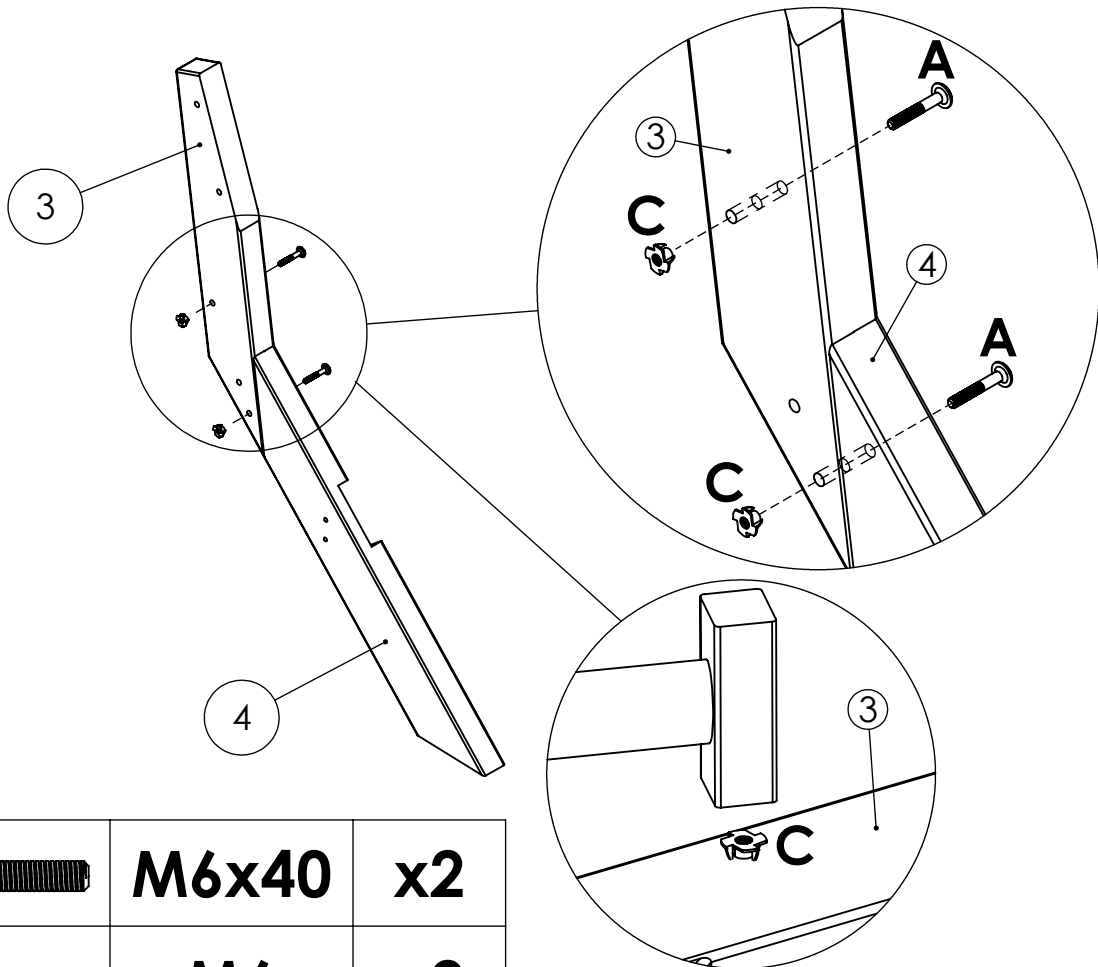
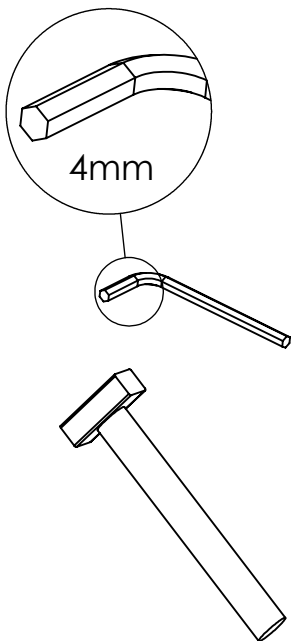
<b>A</b>		<b>M6x40</b>	<b>x8</b>
<b>B</b>		<b>M6x80</b>	<b>x24</b>
<b>C</b>		<b>M6</b>	<b>x32</b>
<b>D</b>		<b>6x120 T</b>	<b>x12</b>



1 **x2**



<b>A</b>		<b>M6x40</b>	<b>x2</b>
<b>C</b>		<b>M6</b>	<b>x2</b>

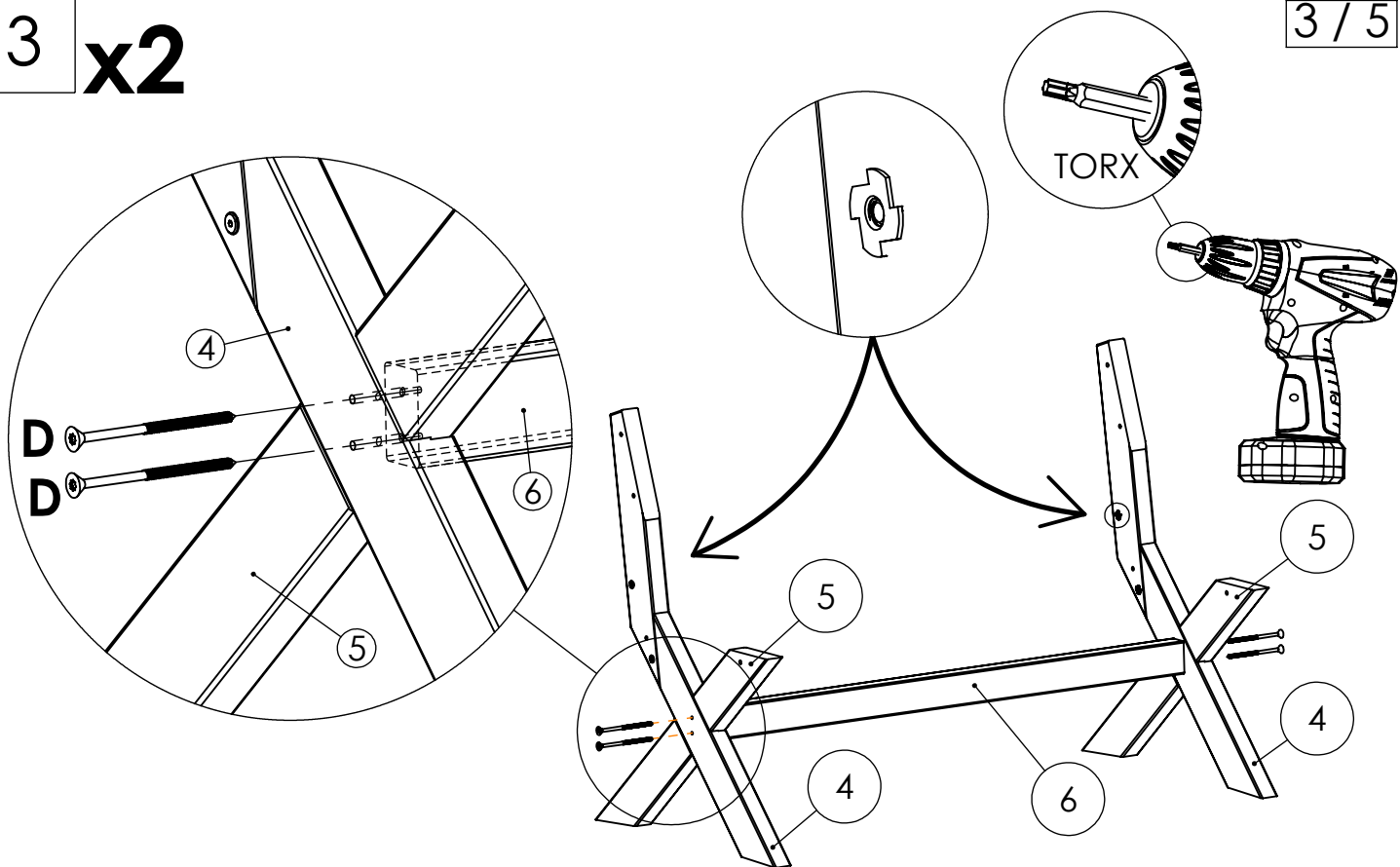
2 **x2**



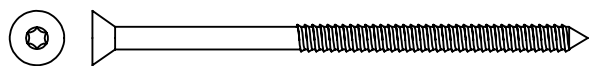
<b>A</b>		<b>M6x40</b>	<b>x2</b>
<b>C</b>		<b>M6</b>	<b>x2</b>

3 **x2**

3 / 5



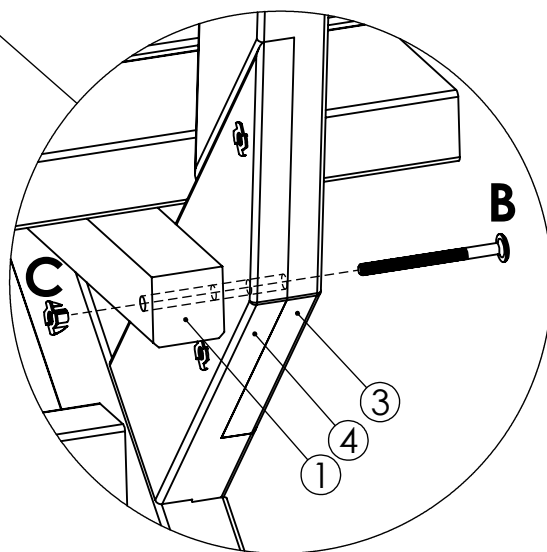
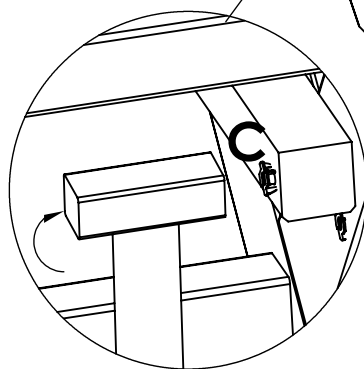
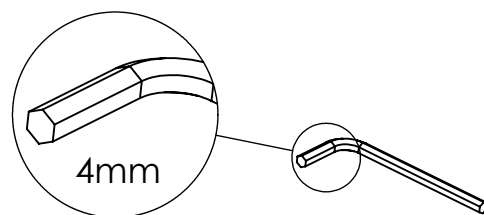
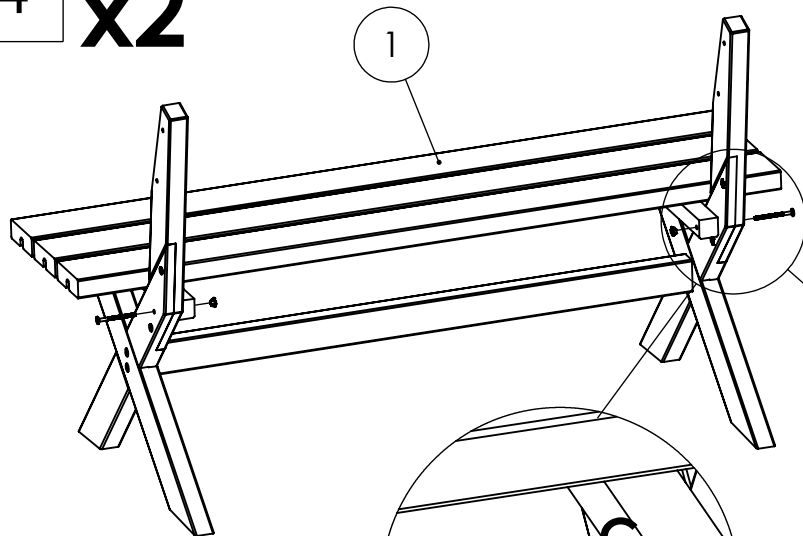
**D**



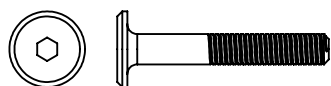
**6x120 T**

**x4**

4 **x2**



**A**



**M6x40**

**x2**

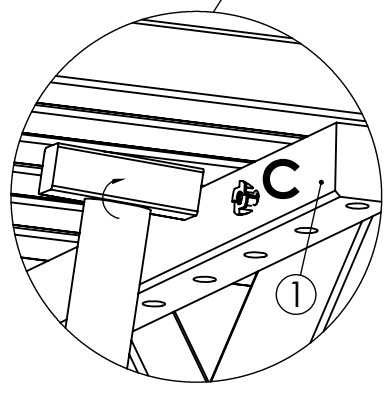
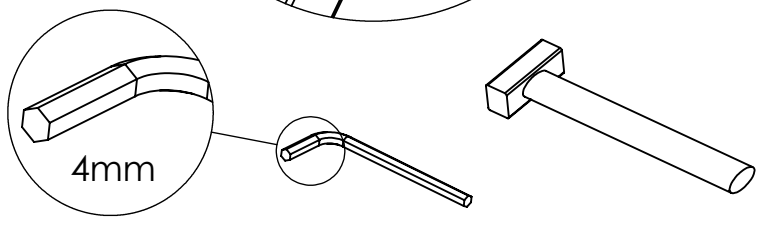
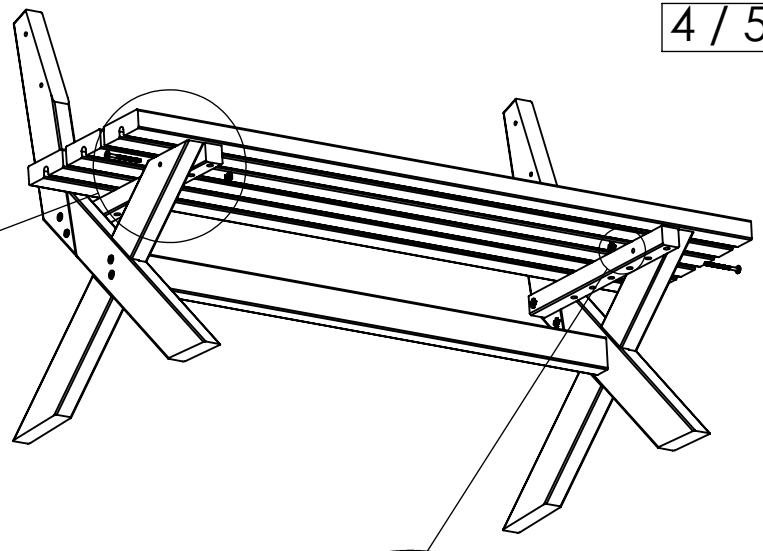
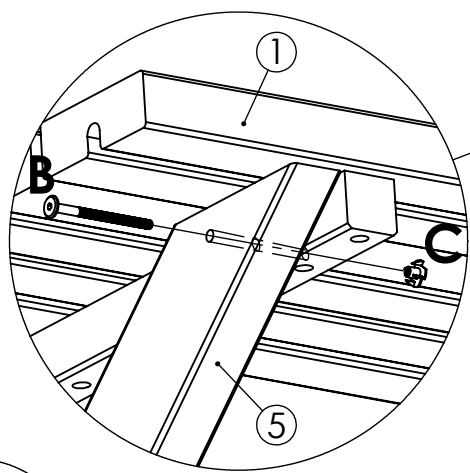
**C**

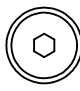



**M6**

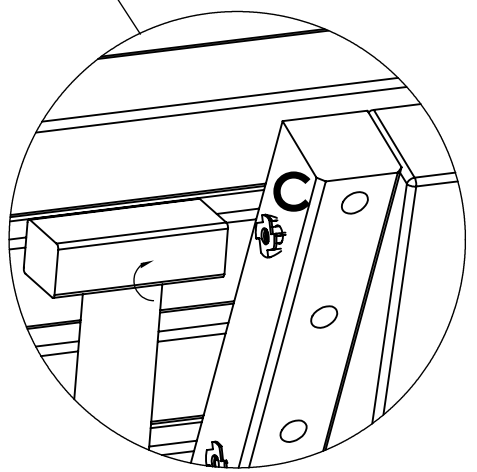
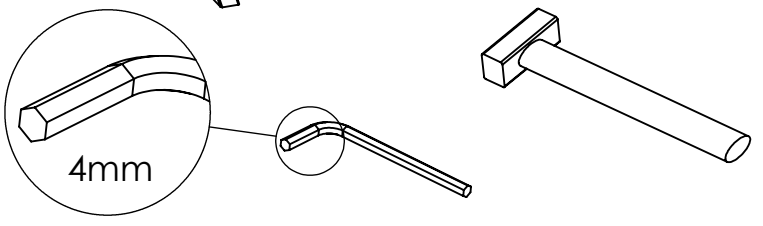
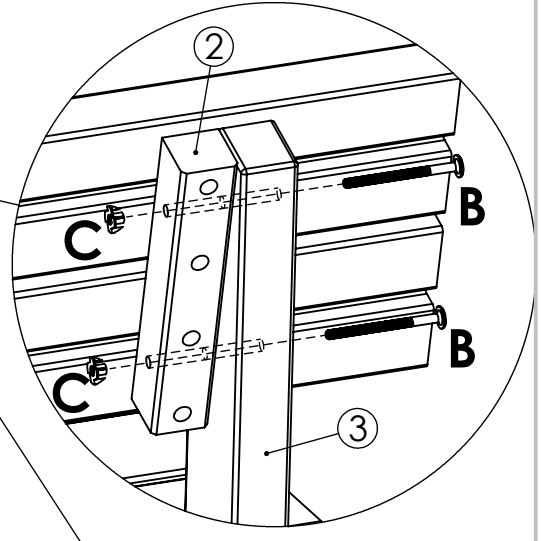
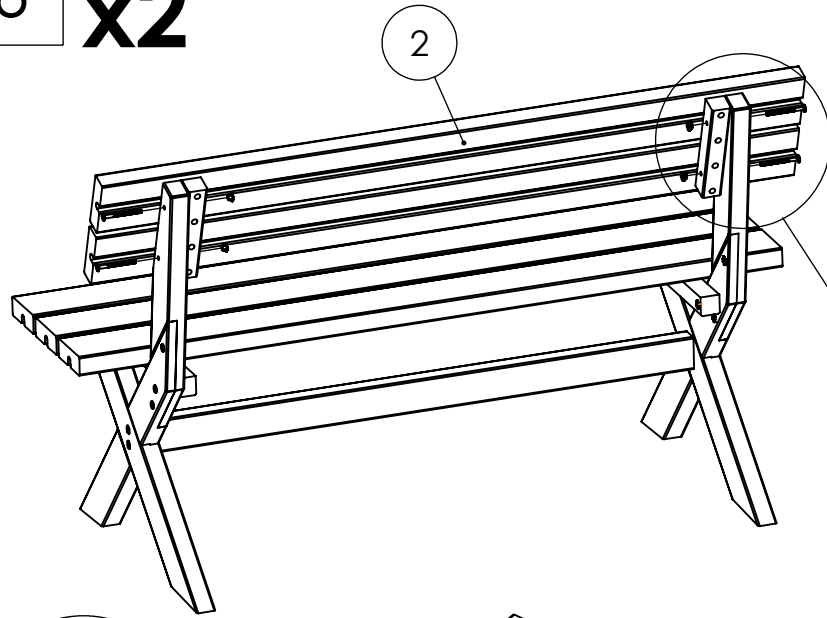
**x2**



5 x2



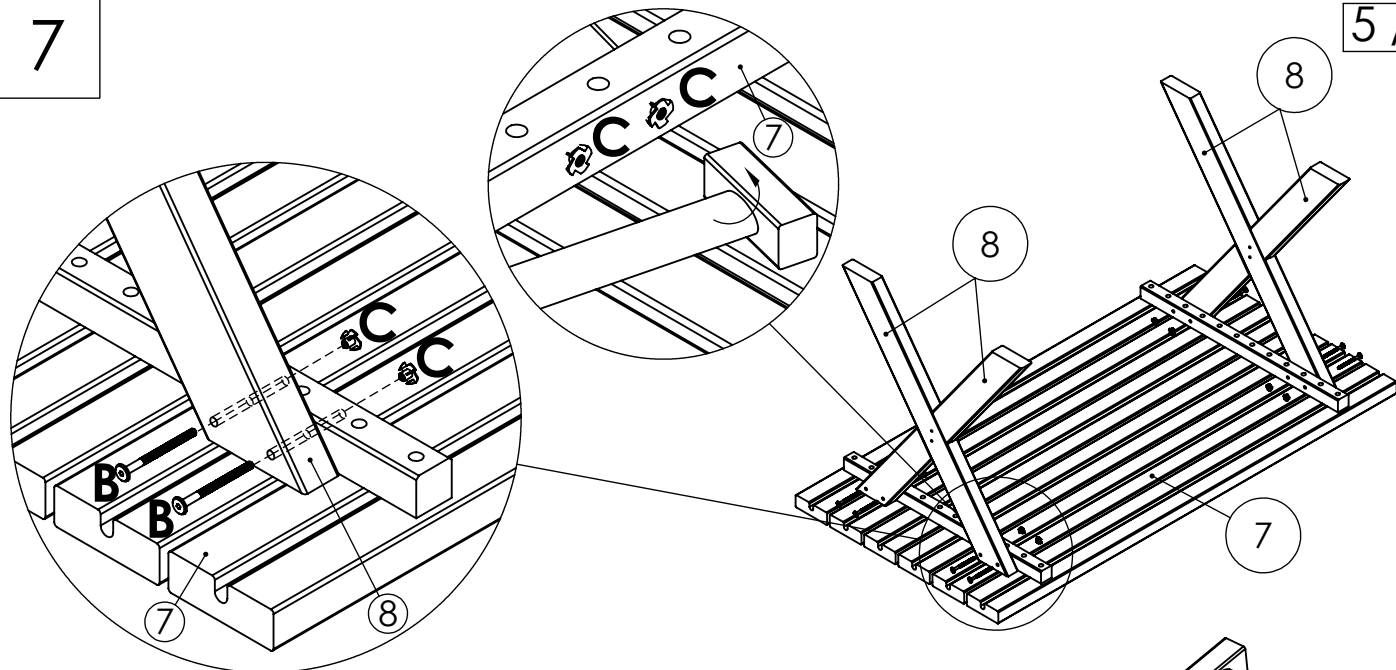
<b>B</b>		<b>M6x80</b>	<b>x2</b>
<b>C</b>		<b>M6</b>	<b>x2</b>

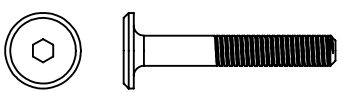

6 x2

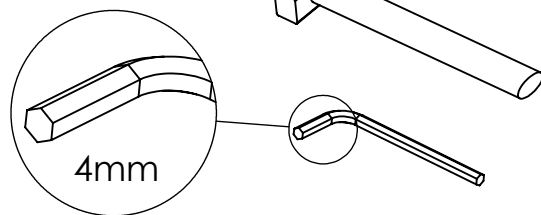


<b>B</b>		<b>M6x80</b>	<b>x4</b>
<b>C</b>		<b>M6</b>	<b>x4</b>

7



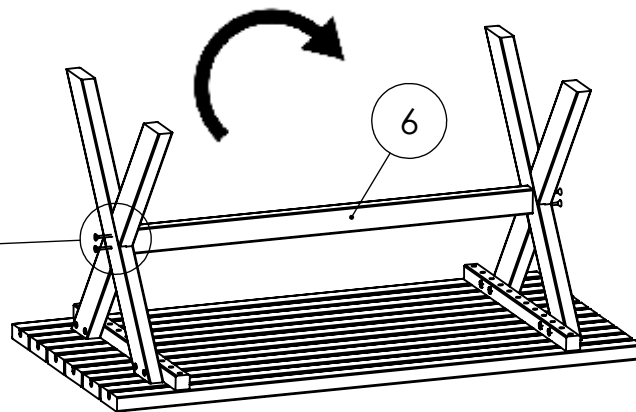
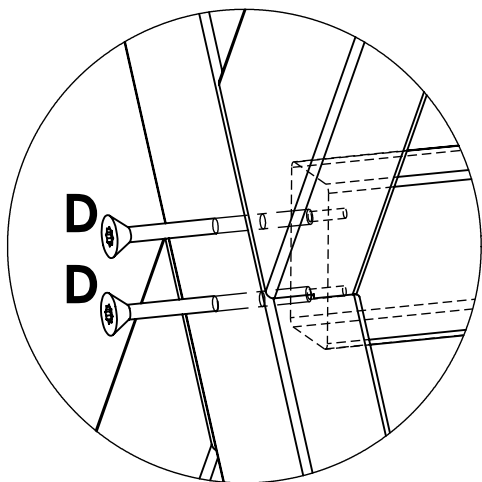
<b>B</b>		<b>M6x80</b>	<b>x8</b>
<b>C</b>		<b>M6</b>	<b>x8</b>



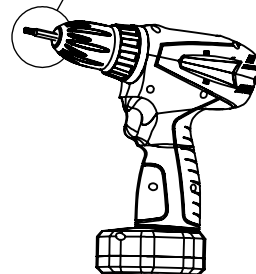
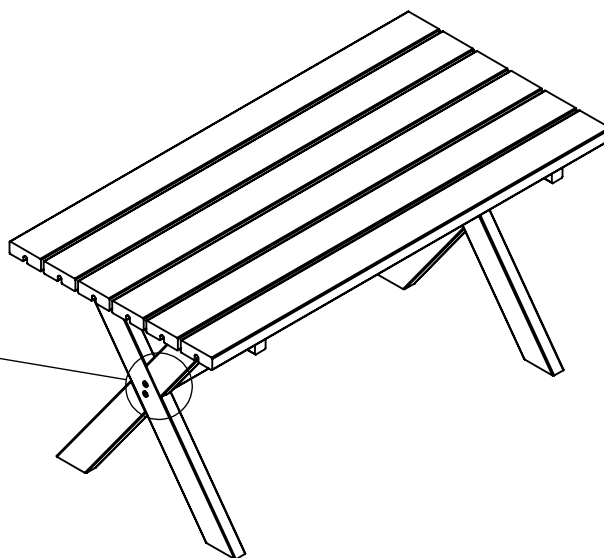
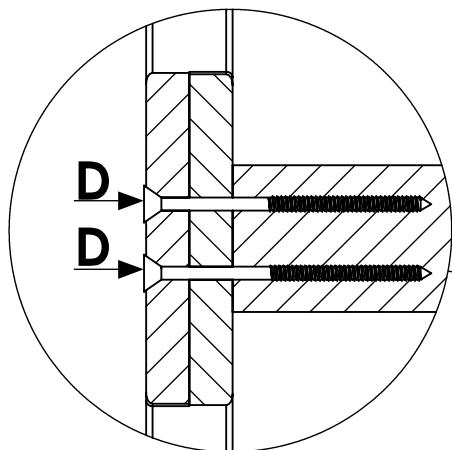
8

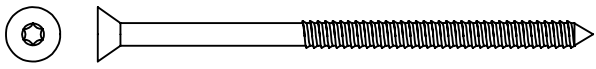
1.step

2.step



3.step



<b>D</b>		<b>6x120 T</b>	<b>x4</b>
----------	---	----------------	-----------