
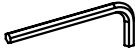
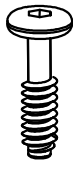
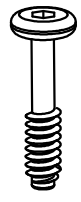
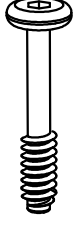

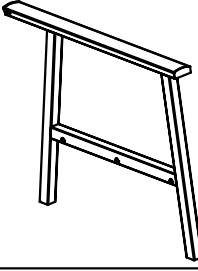
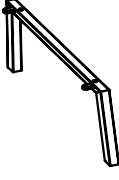
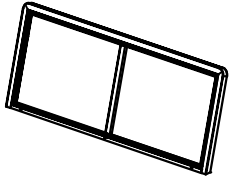


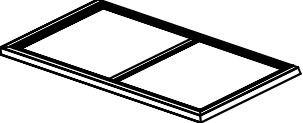
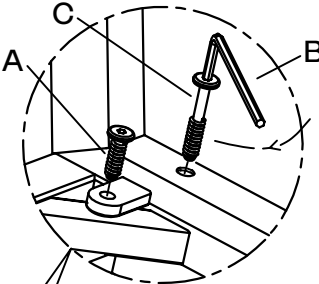
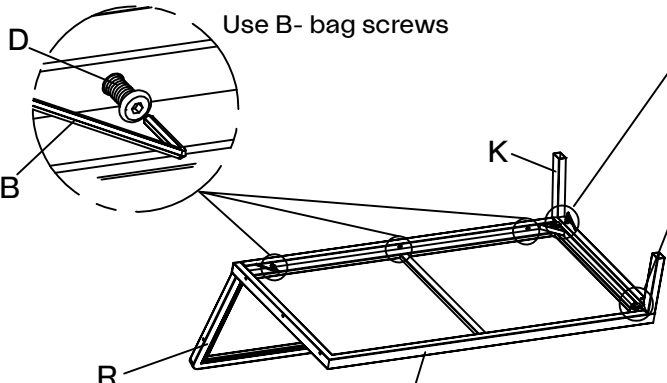
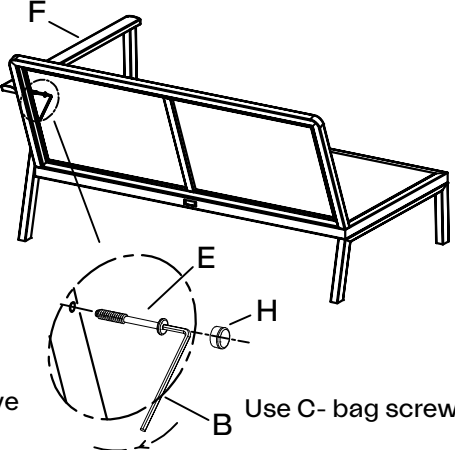
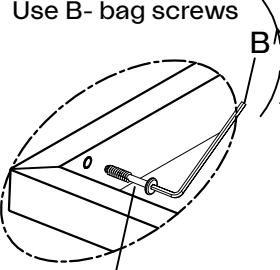
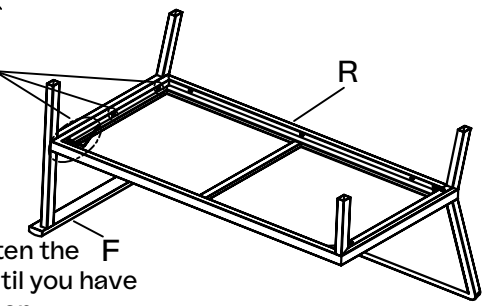


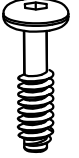
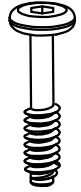
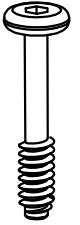

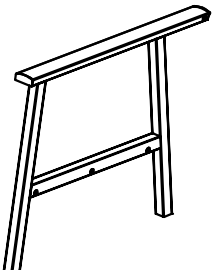
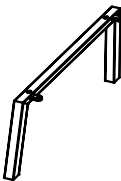
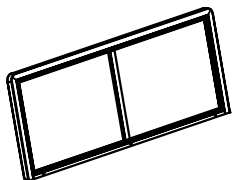
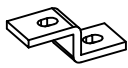

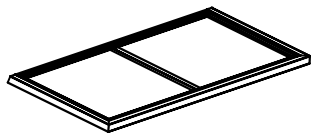
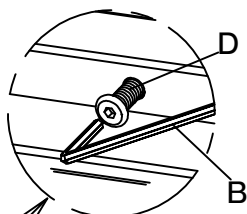
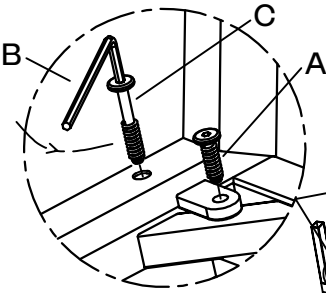
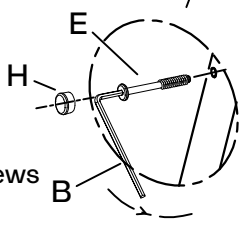


A	B	C	D	E	H	F	K	R
A-bag screws			B-bag screws	C-bag screws				
								
M6*25	4mm	M6*35	M6*45	M6*65				
2PCS	1PC	2PCS	6PCS	1PC	1PC	1PC	1PC	1PC
S	W	G						
								
2PCS	4PCS	1PC		Use A- bag screws				
								
Use B- bag screws			Use C- bag screws					
Don't tighten the F screws until you have all screws on.			Don't tighten the screws until you have all screws on.					
								
Use B- bag screws			Don't tighten the F screws until you have all screws on.					

A	B	C	D	E	H	F	K	R
A-bag screws			B-bag screws	C-bag screws				
								
M6*25	4mm	M6*35	M6*45	M6*65				
2PCS	1PC	2PCS	6PCS	1PC	1PC	1PC	1PC	1PC
S	W	G						
					 <p>Use B- bag screws</p>			
2PCS	4PCS	1PC						

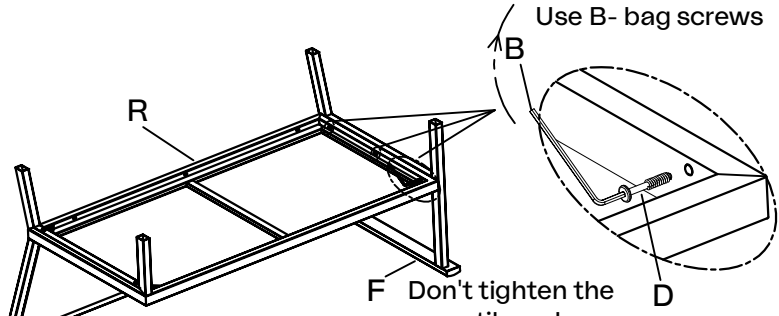


Use A- bag screws

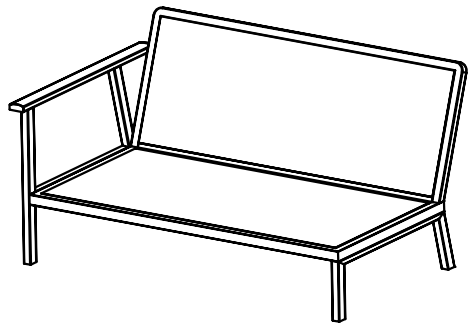


Use C- bag screws

Don't tighten the screws until you have all screws on.



Use B- bag screws



Don't tighten the screws until you have all screws on.

1