
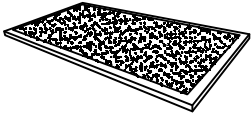
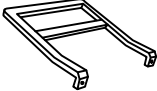
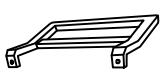


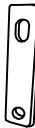


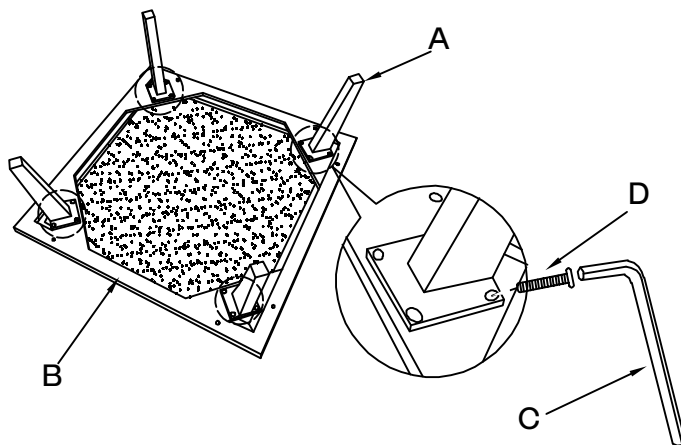


A	B	C	D	E	F	G	H	I
		A-bag screws		B-bag screws				C-bag screws
			 M6*15					 M8*35
4PCS	1PC	1PC	16PCS	2PCS	4PCS	These spare parts need to purchase separately		

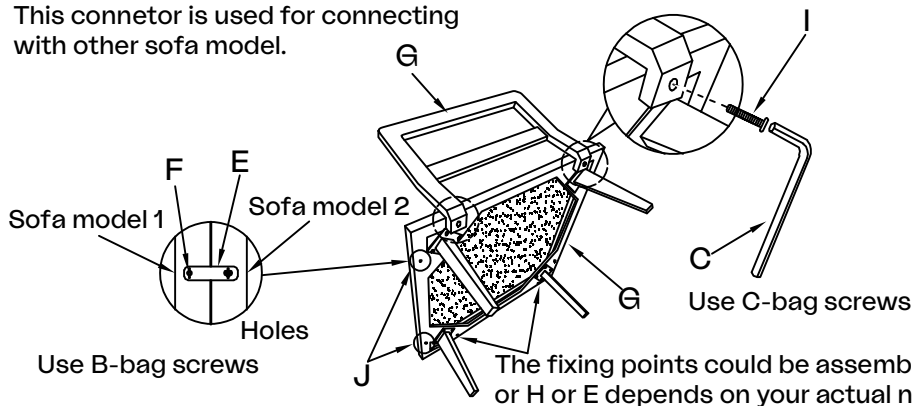
There are quite many possibilities to build the sofa according to your specified request, here we would like to show you how to build the sofa in most common combinations as below:



Use A-bag screws

The combination 1

This connector is used for connecting with other sofa model.

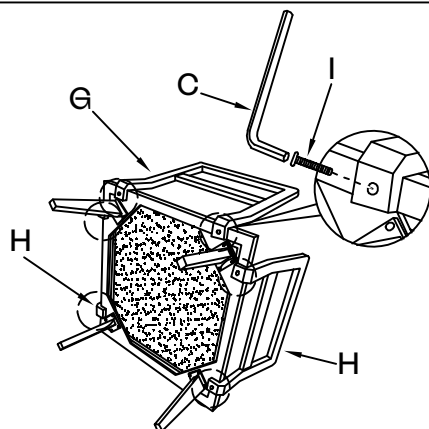


Use B-bag screws

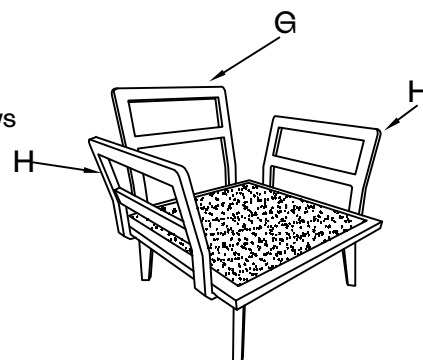
Use C-bag screws

The fixing points could be assembled with G or H or E depends on your actual needs.

The combination 2



Use C-bag screws



The combination 3