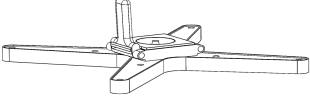


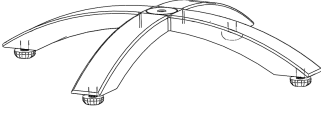

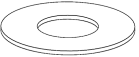



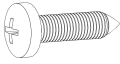
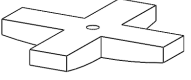
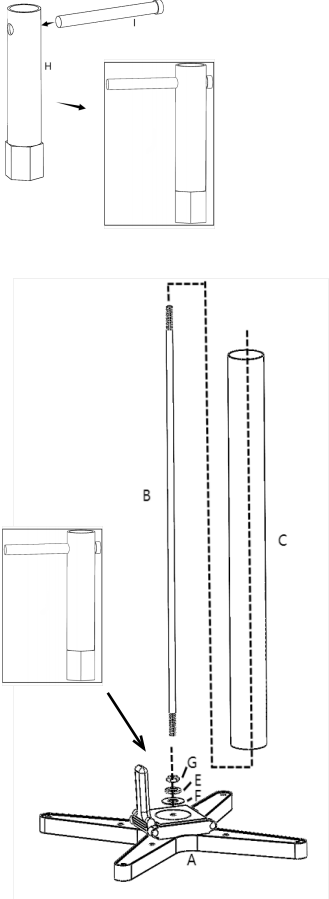


### Assembly instruction

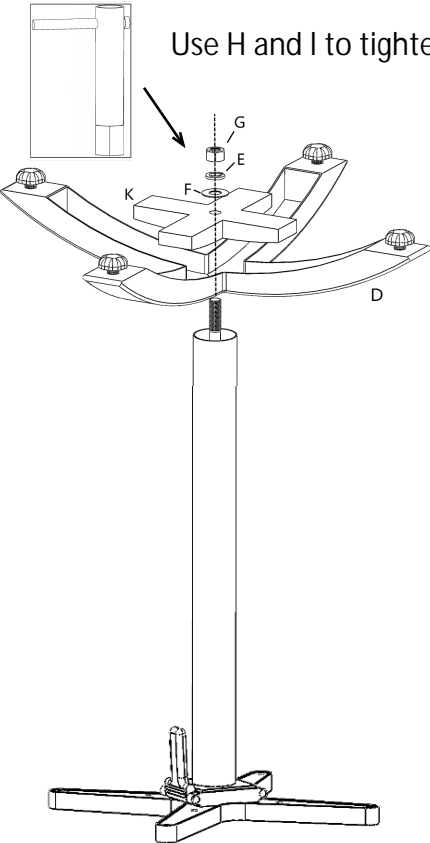
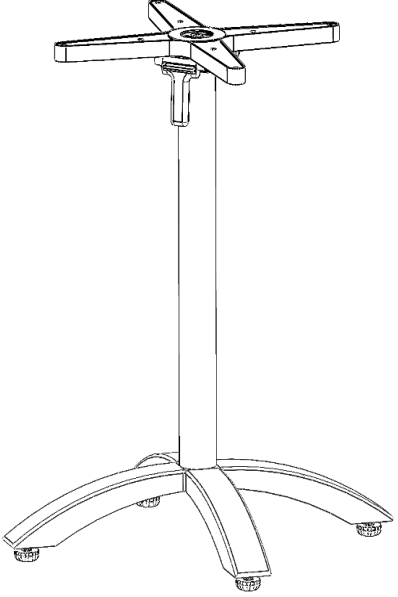
A	B	C	D	E
				
1PC	1PC	1PC	1PC	2PCS

F	G	H	I	J	K
					
2PCS	2PCS	1PC	1PC	8PCS	1PC



**1**

Use H and I to tighten.

**2**