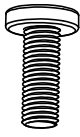

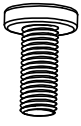
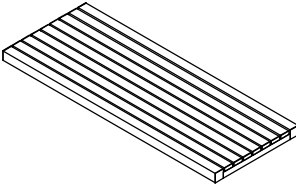
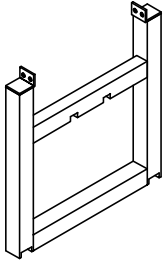

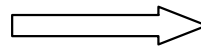
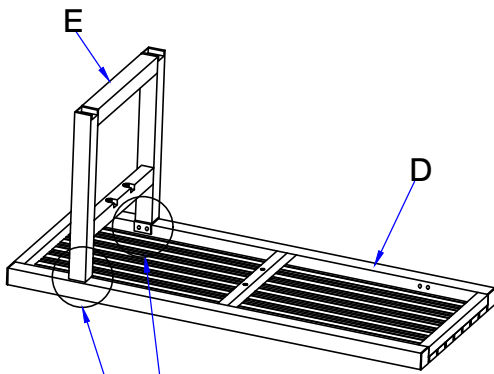
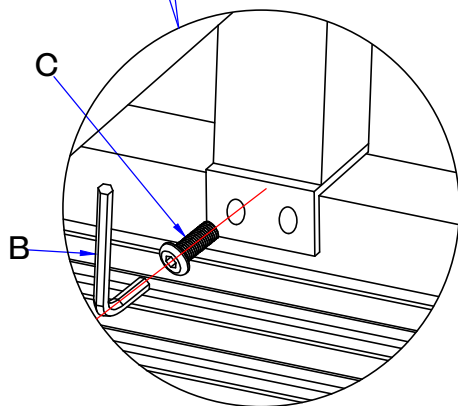
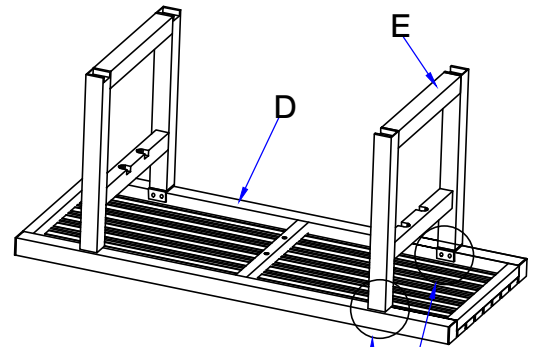


A	B	C	D	E	F
A-bag screws	B-bag screws				
					
M6*30		M6*20			
2PCS	1PC	12PCS	1PC	2PCS	2PCS

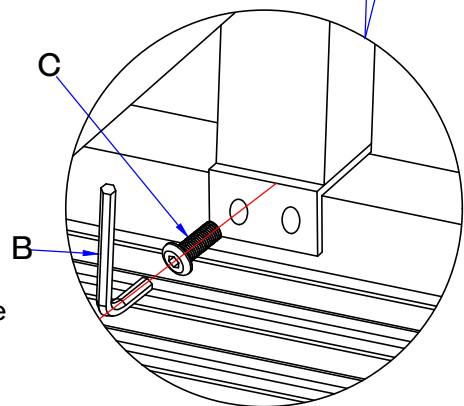


Use the same method to assemble the other side

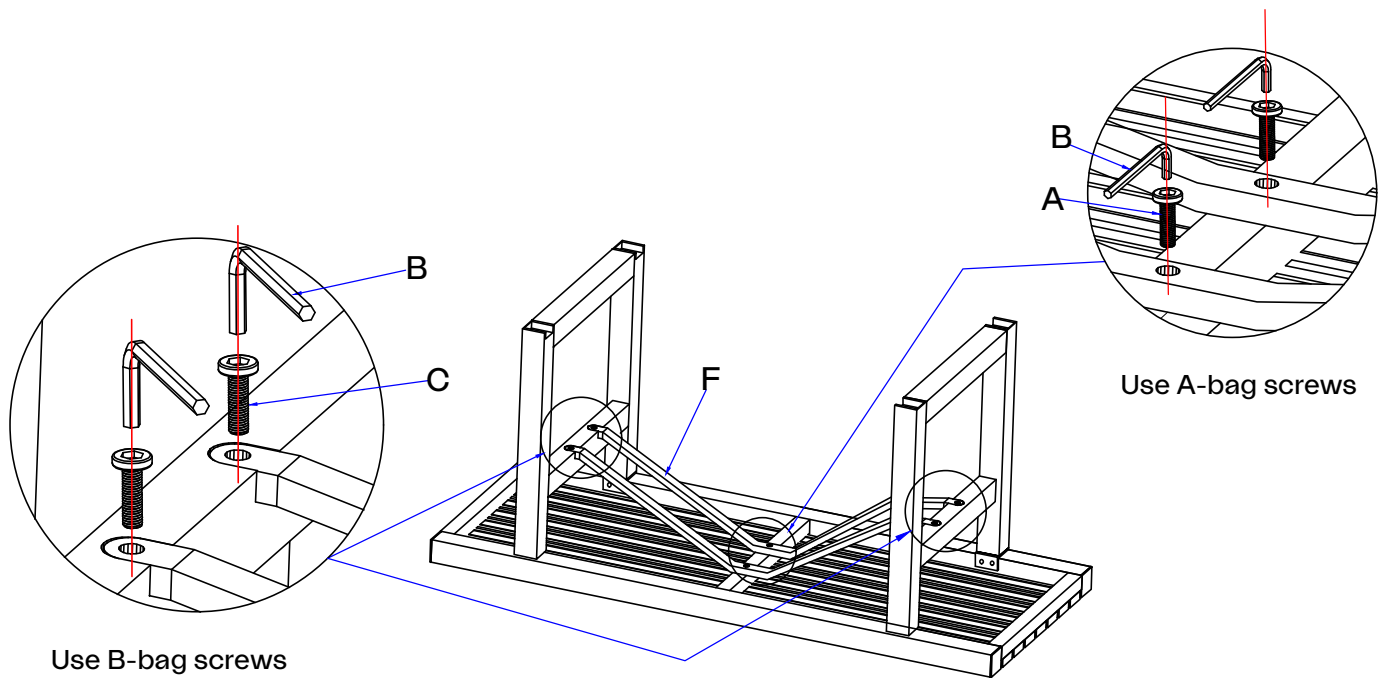


Use B-bag screws

Don't tighten the screws until you have all screws on.



Use B-bag screws



Use B-bag screws

Use the same method to
assemble the other side

Use A-bag screws

