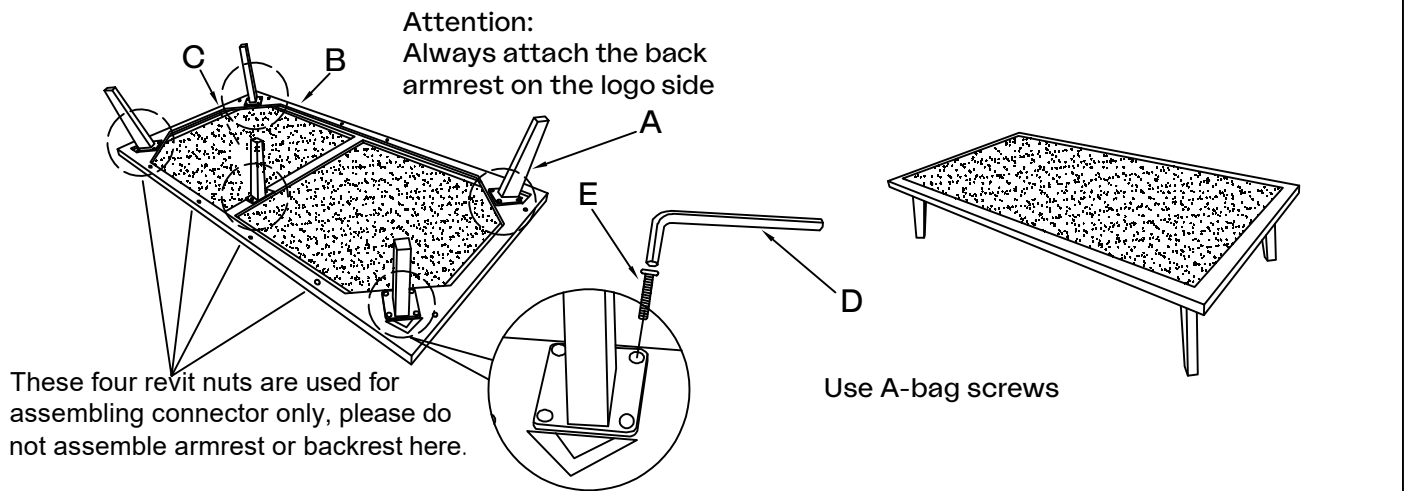


Assembly instruction

A	B	C	D	E	F	G	H	I	J	
			A-bag screws		B-bag screws				C-bag screws	
4PCS	1PC	1PC		 M6*15					 M8*35	
							These spare parts need to purchase separately			



There are quite many possibilities to build the sofa according to your specified request, here we would like to show you how to build the sofa in most common combinations as below:

